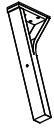


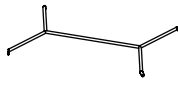
Part # T16-FOLIA XX

24-0717

PARTS

x4
A

B



C

x12
(M6x35mm)

D

x4
(M6x15mm)

E



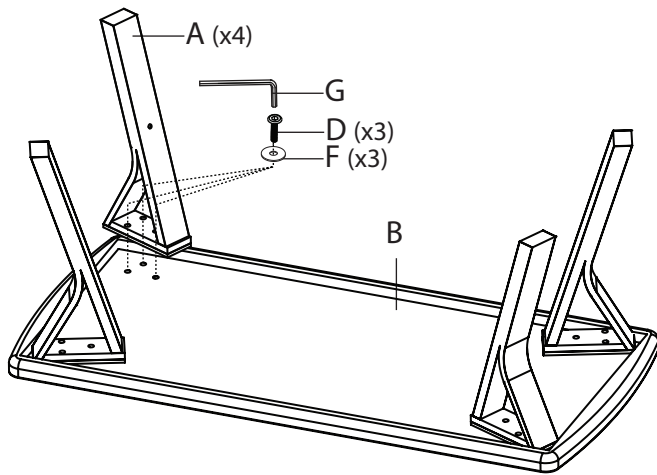
x12

F

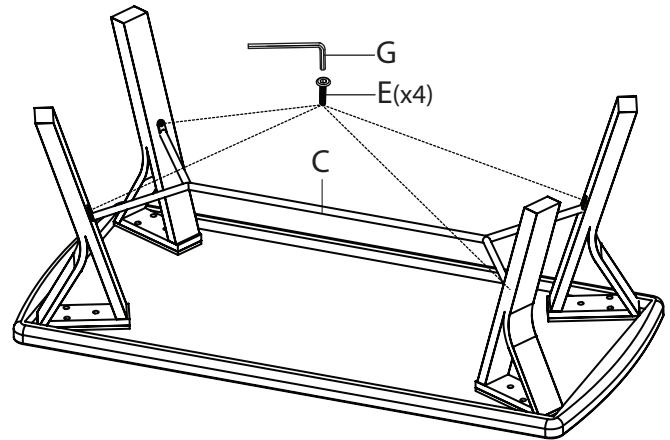


G

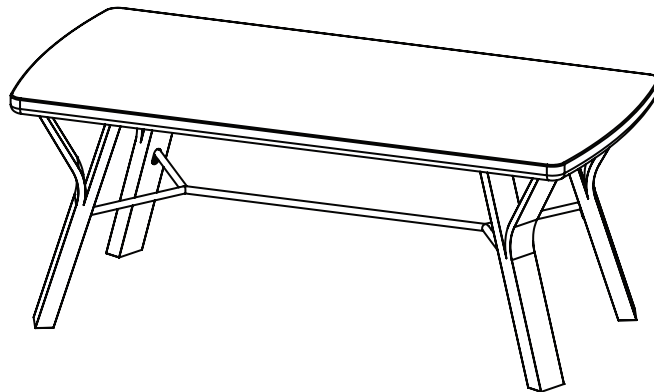
1



2



3

**⚠ WARNING: TABLE**

- Read all instructions carefully and completely before assembly and use. Retain for future reference.
- Keep plastic bags and small parts away from children.
- For residential (non-commercial) use only.
- DO NOT stand on product. Use only for intended table purpose.
- Max weight limit 150 lbs.
- Periodically check for loose hardware; retighten as necessary.
- DO NOT use product if any component becomes damaged.
- DO NOT use power tools to assemble OR overtighten hardware.